

IEC Appliance Inlet C20, Screw-on Mounting, Rear Side, PCB Terminal

V-Lock



C20



70 °C

**Description**

- Panel Mount:
- Screw-on mounting, from rear-side
- Appliance Inlet, Pin temperature 70 °C, Protection class I
- For PCB mounting

**Approvals**

- UL File Number: E96454
- CSA File Number: 27324

Newly available variants corresponding to V-Lock mating cordset. The connector is equipped with a notch intended for use with the latching cordset. The cord latching system prevents against accidental removal of the cordset.

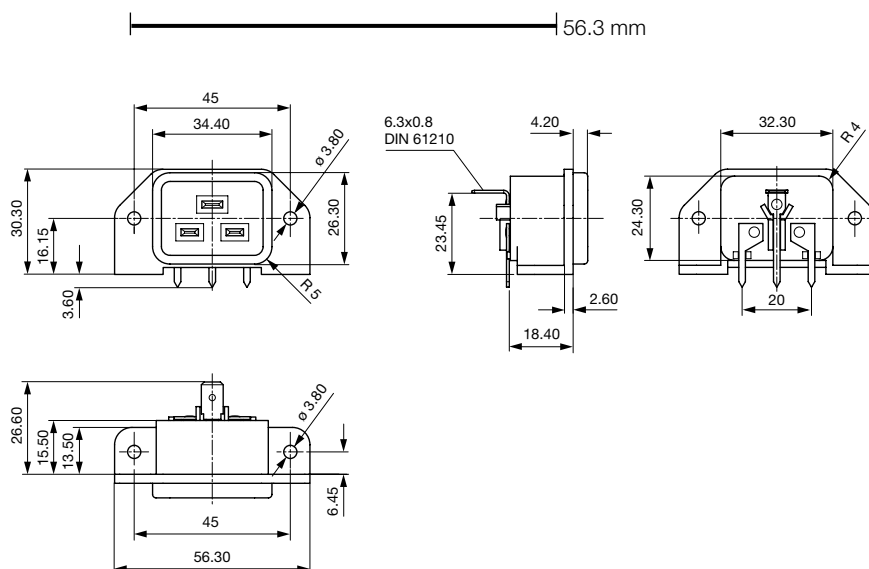
**References****Weblinks**

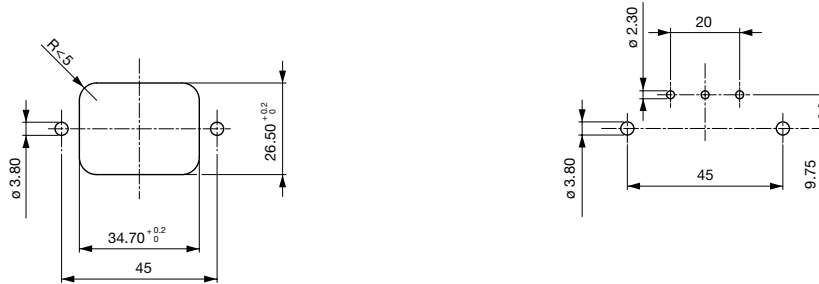
[pdf](#), [html](#), [General Product Information](#), [Approvals](#), [RoHS](#), [CHINA-RoHS](#), [Mating Connectors](#), [e-Store](#), [SCHURTER-Stock-Check](#), [Distributor-Stock-Check](#), [Accessories](#)

**Technical Data**

Ratings IEC	16 A / 250 VAC; 50 Hz
Ratings UL/CSA	21 A / 250 VAC; 60 Hz
Dielectric Strength	> 3 kVAC between L-N > 1.5 kVAC between L/N-PE (1 min/50 Hz)
Allowable Operation Temp.	-25 °C to 70 °C
Degree of Protection	from front side IP 20 acc. to IEC 60529
Protection Class	Suitable for appliances with protection class 1 acc. to IEC 61140
Terminal	For PCB mounting Solder terminal straight

Appliance Inlet	C20 acc. to IEC/EN 60320-1 UL 498, CSA C22.2 no. 42 (for cold conditions) pin-temperature 70 °C, 16 A, Protection Class 1
-----------------	--

**Dimensions**



Panel cut-out and Drilling diagram

## Config. Code


1601 - H - A B C 0 - D - E I

The characters are placeholders for the correspondingly keys of selections from the key tables.

1601 - **H** - A B C 0 - D - E I = Type

Type	Configuration key
protection class 1	X

1601 - H - **A** B C 0 - D - E I = Terminals

Terminal L	Configuration key
PCB-terminal (standard) 	4

1601 - H - A **B** C 0 - D - E I = Terminals

Terminal N	Configuration key
PCB-terminal (standard)	4

Symbols similar as in table A

1601 - H - A B **C** 0 - D - E I = Terminals

Terminal Ground	Configuration key
PCB-terminal (long)	6

Symbols similar as in table A

1601 - H - A B C 0 - **D** - E I = Color

Color	Configuration key
jet black; RAL9005	A
silver grey; RAL7001	B
pure white; RAL9010	D

1601 - H - A B C 0 - D - **E** I = Style

Style	Configuration key
flange with through holes	2
flange with through holes (special type)	7

1601 - H - A B C 0 - D - E **I** = Additional Terminals

Additional Terminals	Configuration key
without terminal	0
Blade terminal (6.3 x 0.8 mm)	9

## Variants

Config. Code	Description	Order Number
1601-X-4460-A-29	1601, IEC Appliance Inlet C20, 70°C1, L: PCB-terminal (standard), N: PCB-terminal (standard), ground: PCB-terminal (long), color: jet black; RAL9005, design: flange with through holes, additional terminal L: Blade terminal (6.3 x 0.8 mm)	6163.0018
1601-X-4460-A-20	1601, IEC Appliance Inlet C20, 70°C1, L: PCB-terminal (standard), N: PCB-terminal (standard), ground: PCB-terminal (long), color: jet black; RAL9005, design: flange with through holes, additional terminal L: without terminal	6163.0019

The listed variants should be available from stock. Other versions on request [www.schurter.com/contact](http://www.schurter.com/contact)

Packaging unit 50 Pcs

## Mating Outlets/Connectors

## Category / Description

## Connector Overview complete



IEC Connector C19, Rewireable, Straight	0104
IEC Connector C19, Rewireable, Angled	1651
IEC Connector C19, Rewireable, Straight	1652
IEC Connector C19, Rewireable, Angled	4790
IEC Connector C19, Rewireable, Straight	4795

Connector further types to 1601



## Power Cord Overview complete

Power Cord with IEC Connector C19, Straight	1654
---	------

Power Cord further types to 1601



## Power Plug (Mains Socket) Overview complete

US Power Supply Cord with IEC Connector C19, straight	6009.5195
---	-----------

Power Plug (Mains Socket) further types to 1601



## Power Supply or Interconnection Cord Overview complete

Divers Power Supply and Interconnection Cords 16 A	6003.0395
--	-----------

Power Supply or Interconnection Cord further types to 1601